

## S1A00121F Power Management IC(PMIC)

### ■ DESCRIPTIONS

S1A00121F is the control IC for the 0.1 W Primary (Tx) system. This Primary (Tx) system can transmit power to Secondary (Rx) systems. This IC includes Power-MOS driver control, Drive voltage control with an external Step-Up converter, Thermal detection, and Safety circuits, enabling it to safely transmit power to the Secondary (Rx) system consisting of the S1A00112B.

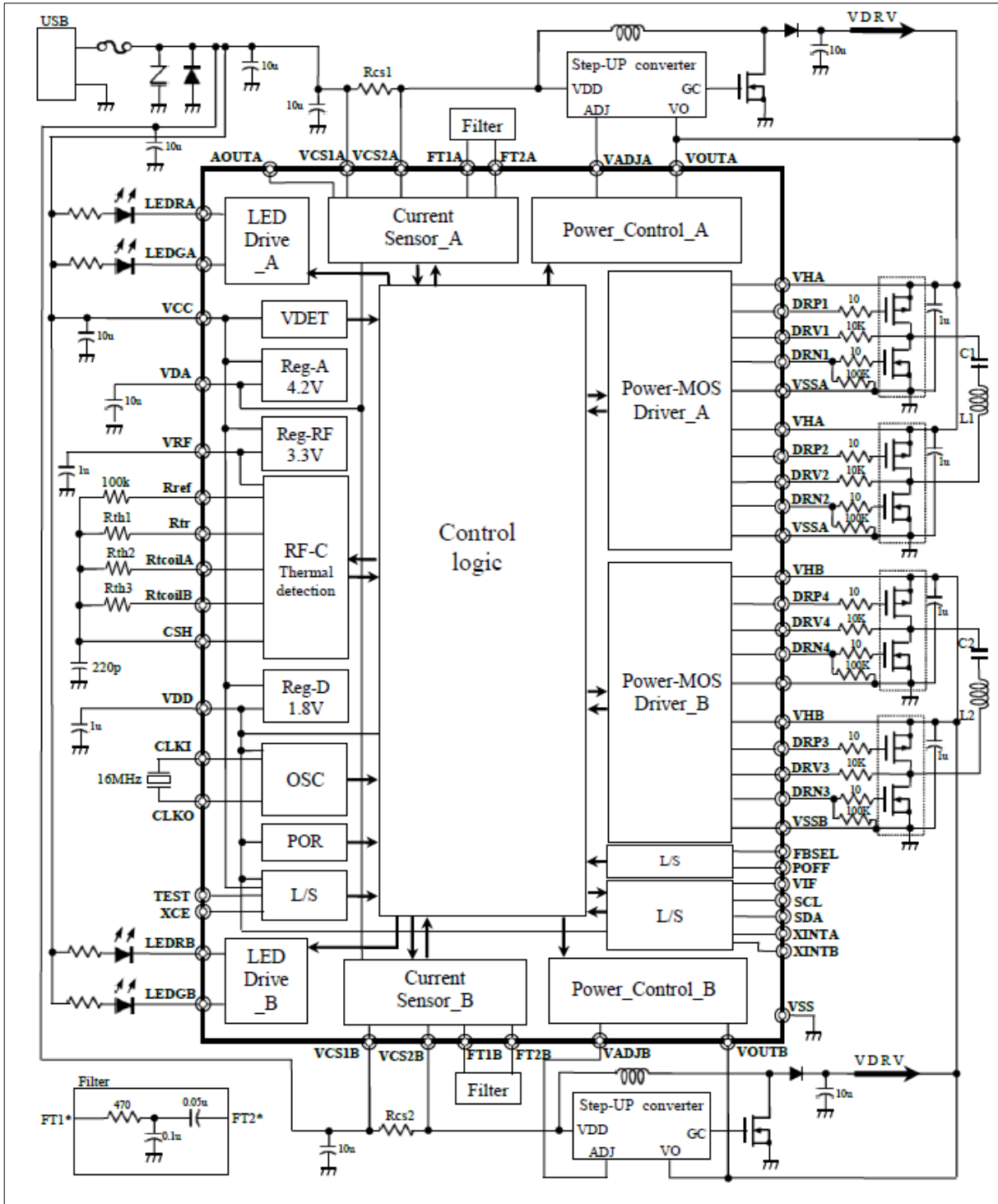
S1A00121F can receive information from the Secondary (Rx) system, such as the status of the charging battery, the condition of the charging battery (voltage, current, temperature), the battery code, and the condition of received power (rectified output voltage). This process is facilitated by data communication between the coils of the Primary (Tx) and Secondary (Rx) systems.

### ■ FEATURES

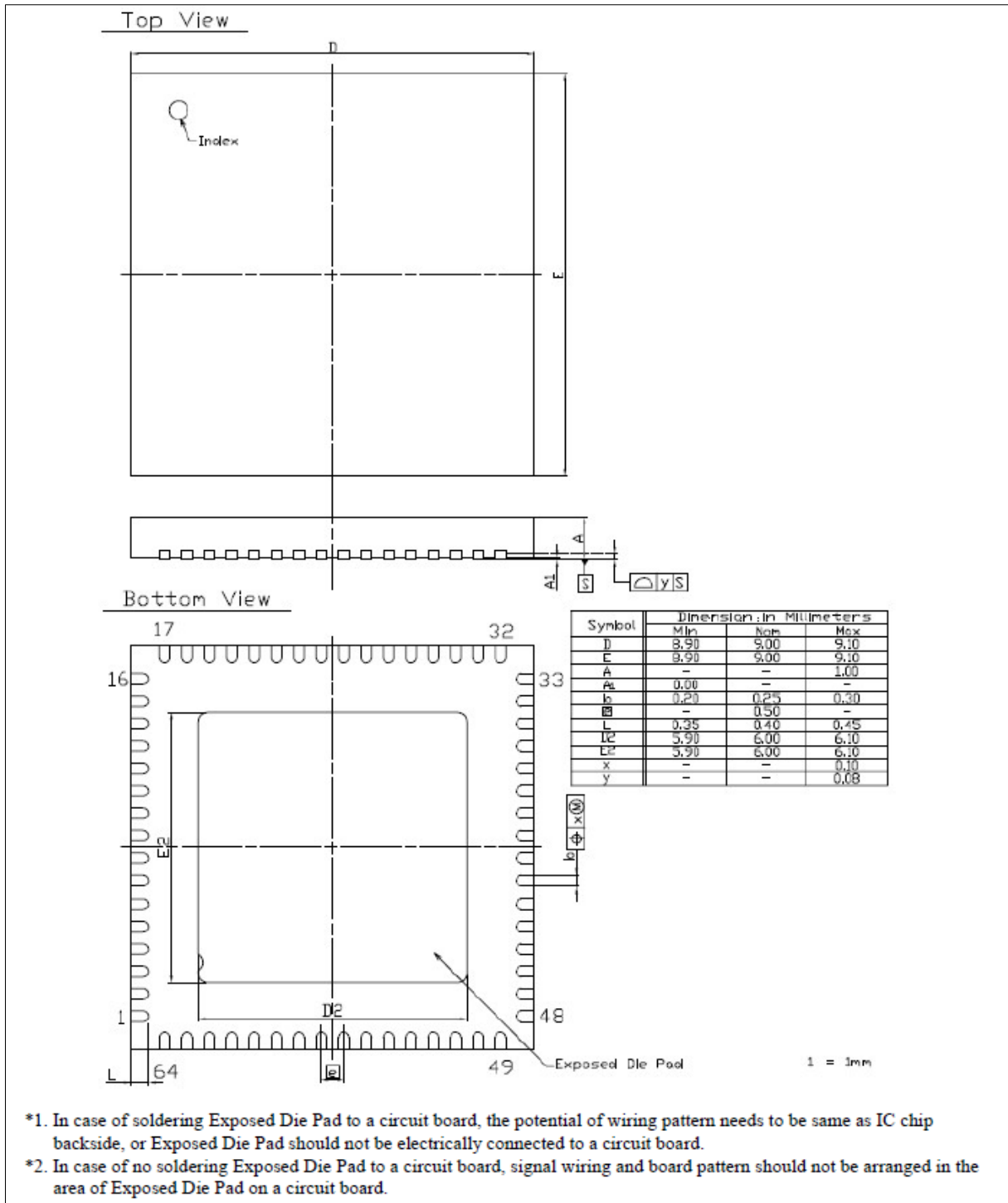
- **0.1W Primary (Tx) power transmitter.**
  - ✓ Driver control circuit that drives external Power-MOS.
  - ✓ Power control with external Step-Up Converter.
  - ✓ Small controllable Landing/Removal detection
  - ✓ Automatic coil driving mode switching (Full bridge/Half bridge)
  - ✓ Driver phase control to reduce the interference between the coils
- **Safety circuit**
  - ✓ Thermal detection.
  - ✓ Power-MOS short-circuit detection.
  - ✓ Voltage monitoring circuit.
- **Communicate from receiver**
  - ✓ The information of battery charging status.
  - ✓ The conditions of charging battery (voltage, current, temperature, cycle time)
  - ✓ The condition of received power (rectified output voltage)
  - ✓ IC Number (12-bit)
  - ✓ ID control (Epson's control code:4-bit+User's free code:11-bit)
- **Serial interface to set parameter and function, monitor from MCU (I2C bus)**
- **LED output control**
- **Band-gap reference.**
- **Oscillator (16MHz)**
- **Shipment in SQFN9-64PIN (9.0mm×9.0mm)**
- **No anti-radiation and light resistance design**
- **0.1W secondary power receiver**

# S1A00121F

## ■ BLOCK DIAGRAM



## ■ PACKAGE OUTLINE



# S1A00121F

## NOTICE: PLEASE READ THE FOLLOWING NOTICE CAREFULLY BEFORE USING THIS DOCUMENT

The contents of this document are subject to change without notice.

1. This document may not be copied, reproduced, or used for any other purpose, in whole or in part, without the consent of the Seiko Epson Corporation ("Epson").
2. Before purchasing or using Epson products, please contact our sales representative for the latest information and always be sure to check the latest information published on Epson's official web sites and other sources.
3. Information provided in this document such as application circuits, programs, usage, etc., are for reference purposes only. Using the application circuits, programs, usage, etc. in the design of your equipment or systems is your own responsibility. Epson makes no guarantees against any infringements or damages to any third parties' intellectual property rights or any other rights resulting from the information. This document does not grant you any licenses, intellectual property rights or any other rights with respect to Epson products owned by Epson or any third parties.
4. Epson is committed to constantly improving quality and reliability, but semiconductor products in general are subject to malfunction and failure. By using Epson products, you shall be responsible for your hardware. Software and systems must be designed well enough to prevent death or injury as well as any property damage even if any of the malfunctions or failures might be caused by Epson products. When designing your products using Epson products, please be sure to check and comply with the latest information regarding Epson products (this document, specifications, data sheets, manuals, Epson's web site, etc.). When using the information included above materials such as product data, charts, technical contents, programs, algorithms and application circuit examples, you shall evaluate your products both on a stand-alone basis as well as within your overall systems. You shall be solely responsible for deciding whether or not to adopt and use Epson products.
5. Epson has prepared this document and programs provided in this document carefully to be accurate and dependable, but Epson does not guarantee that the information and the programs are always accurate and complete. Epson assumes no responsibility for any damages which you incur due to misinformation in this document and the programs.
6. No dismantling, analysis, reverse engineering, modification, alteration, adaptation, reproduction, etc., of Epson products is allowed.
7. Epson products have been designed, developed and manufactured to be used in general electronic applications (office equipment, communications equipment, measuring instruments, home electronics, etc.) ("General Purpose") and applications which is individually listed in this document or designated by Epson ("Designated Purpose"). Epson products are NOT intended for any use beyond the General Purpose and Designated Purpose uses that requires particular/higher quality or reliability in order to refrain from causing any malfunction or failure leading to death, injury, serious property damage or severe impact on society, including, but not limited to those listed below ("Particular Purpose"). Therefore, you are advised to use Epson products only for General Purpose and Designated Purpose uses. Should you desire to buy and use Epson products for a Particular Purpose, Epson makes no warranty and disclaims with respect to Epson products, whether express or implied, including without limitation any implied warranty of merchantability or fitness for any Particular Purpose. Please be sure to contact our sales representative and obtain approval in advance.  
[Examples of Particular Purpose]  
Space equipment (artificial satellites, rockets, etc.) /  
Transportation vehicles and their control equipment (automobiles, aircraft, trains, ships, etc.) /  
Medical equipment / Relay equipment to be placed on ocean floor /  
Power station control equipment / Disaster or crime prevention equipment / Traffic control equipment / Financial equipment  
Other applications requiring similar levels of reliability as those listed above. Please be sure to contact our sales representative for details of the other applications.
8. Epson products listed in this document and our associated technologies shall not be used in any equipment or systems that laws and regulations in Japan or any other countries prohibit to manufacture, use or sell. Furthermore, Epson products and our associated technologies shall not be used for developing weapons of mass destruction, or any other military purposes or applications. If exporting Epson products or our associated technologies, you shall comply with the Foreign Exchange and Foreign Trade Control Act in Japan, Export Administration Regulations in the U.S.A. (EAR) and other export-related laws and regulations in Japan and any other countries and follow the required procedures as provided by the relevant laws and regulations.
9. Epson assumes no responsibility for any damages (whether direct or indirect) caused by or in relation with your non-compliance with the terms and conditions in this document.
10. Epson assumes no responsibility for any damages (whether direct or indirect) incurred by any third party that you assign, transfer, loan, etc., Epson products to.
11. For more details or other concerns about this document, please contact our sales representative.
12. Company names and product names listed in this document are trademarks or registered trademarks of their respective companies.

Rev. e1.4, 2023. 4

©2024 Seiko Epson Corporation All rights reserved.

## Seiko Epson Corporation

Sales & Marketing Division

### MD Sales & Marketing Department

JR Shinjuku Miraina Tower, 4-1-6 Shinjuku,  
Shinjuku-ku, Tokyo 160-8801, Japan

Epson semiconductor website

[global.epson.com/products\\_and\\_drivers/semicon/](https://global.epson.com/products_and_drivers/semicon/)

Document code: 414604100

First issue Nov. 20, 2024

Revised June, 2024 in Japan