

## Automotive Grade USB 2.0 Re-Synchronization IC

### ■ Descriptions

S2R72A11 is the Re-Synchronization IC which re-synchronizes the HS packet of USB 2.0 (Universal Serial Bus Specification Revision 2.0).

S2R72A11 monitors the Bus condition on the basis of USB 2.0 standards once this device is inserted in between the Bus of USB port of the SoC and the USB Type-A receptacle. It automatically switches the Bus path to HS Synchronizer during HS connection and to Bus Switch during non-HS connection. Unlike the Hub, there is no directional limitation such as Upstream / Downstream, so the S2R72A11 can maintain the Bus path when the Host is connected to either port.

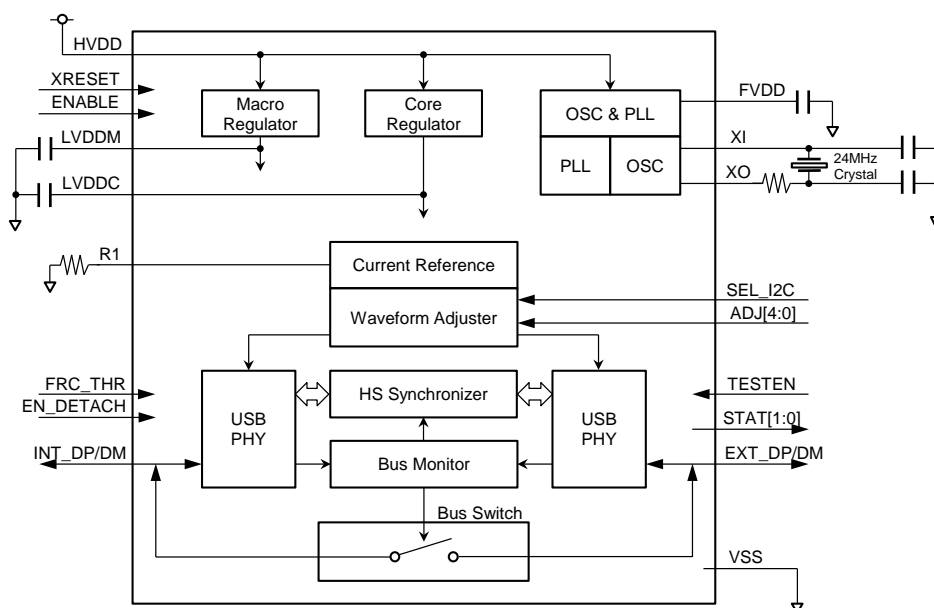
The HS Synchronizer would surely receive the HS packet from one port, re-synchronize using its own clock, and transmit to the other port. Herewith, the S2R72A11 would reduce the jitters of the HS signal waveform along with controlling its aperture. This realizes a stable longer connection using various USB applications, such as car navigation / car display audio to the smart phone / portable audio player.

S2R72A11 complies with the automotive level grade quality and supports the max temperature range up to 105°C.

### ■ Features

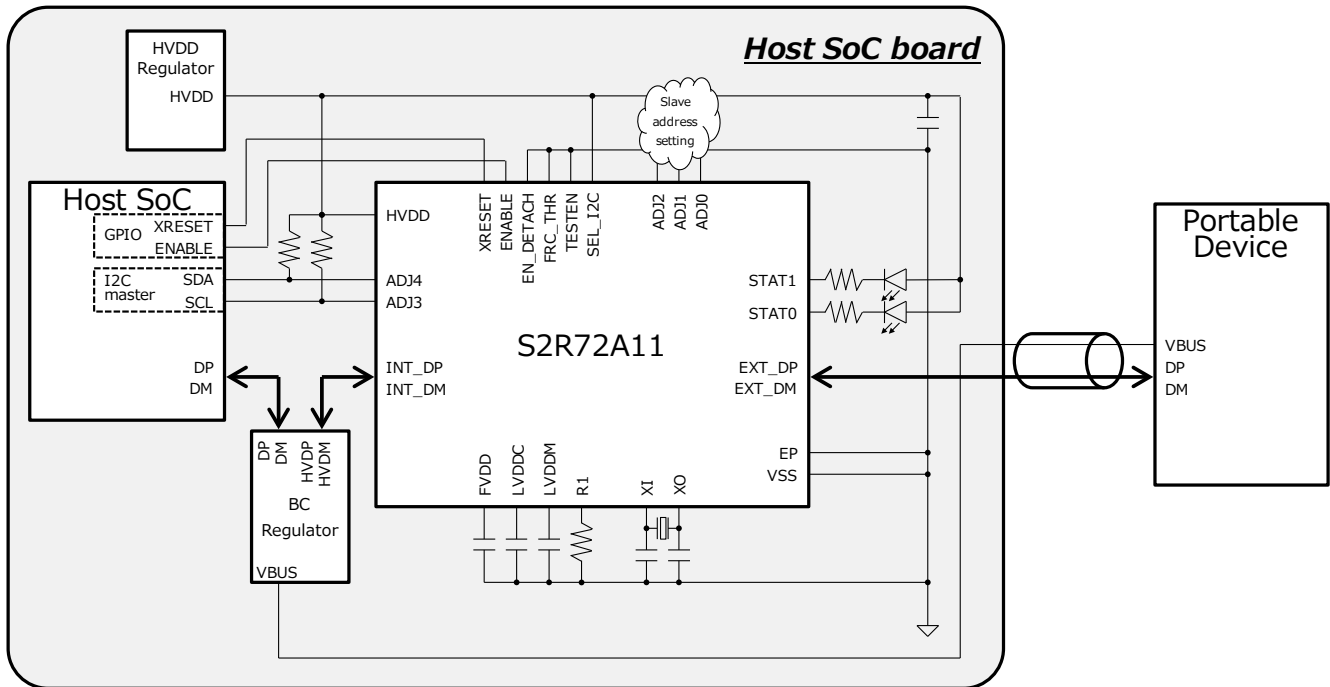
- AEC-Q100 certified
- Excellent data communication characteristics (HS 480Mbps)
  - HS transmission: Transmission waveform with low jitter
    - Support HS transmission current control
  - HS reception: High reception tolerance
- Automatic USB line monitor and control function
  - HS communication: Re-synchronizes with HS Synchronizer
  - Except for HS communication: Passes through with analog switch
- Wide temperature range
  - Operating temperature range is -40°C to +105°C
- Other features
  - Supports 24MHz crystal oscillator (with built-in oscillator circuit and feedback resistor)
  - Power supply voltage: 3.3V
    - Built-in Regulator to generate voltage (1.8V) for the internal core and PLL/OSC
    - Built-in Charge Pump for Analog Switch
  - Package: SQFN5-32PIN-W (Wettable Flank, 32pin, 5mm square, 0.5mm pitch)

### ■ Block Diagram



# S2R72A11

## ■ Connection Example



### NOTICE

No part of this material may be reproduced or duplicated in any form or by any means without the written permission of Seiko Epson. Seiko Epson reserves the right to make changes to this material without notice. Seiko Epson does not assume any liability of any kind arising out of any inaccuracies contained in this material or due to its application or use in any product or circuit and, further, there is no representation that this material is applicable to products requiring high level reliability, such as, medical products. Moreover, no license to any intellectual property rights is granted by implication or otherwise, and there is no representation or warranty that anything made in accordance with this material will be free from any patent or copyright infringement of a third party. When exporting the products or technology described in this material, you should comply with the applicable export control laws and regulations and follow the procedures required by such laws and regulations. You are requested not to use, to resell, to export and/or to otherwise dispose of the products (and any technical information furnished, if any) for the development and/or manufacture of weapon of mass destruction or for other military purposes.

All brands or product names mentioned herein are trademarks and/or registered trademarks of their respective companies.  
 ©Seiko Epson Corporation 2019, All rights reserved

**SEIKO EPSON CORPORATION**

**SALES & MARKETING DIVISION**

Device Sales & Marketing Department  
 421-8 Hino, Hino-shi, Tokyo 191-8501, JAPAN  
 Phone: +81-42-587-5814 FAX: +81-42-587-5116

EPSON semiconductor website

[global.epson.com/products\\_and\\_drivers/semicon/](http://global.epson.com/products_and_drivers/semicon/)

Document code: 413381201  
 First issue February, 2017  
 Revised July, 2019 in Japan