

4-bit Single Chip Microcomputer

- Original Architecture Core CPU
- Low Current Consumption
- Wide-range Operating Voltage (0.9V to 3.6V)
- High Speed Operation in Low Voltage
- A/D Converter

■ DESCRIPTION

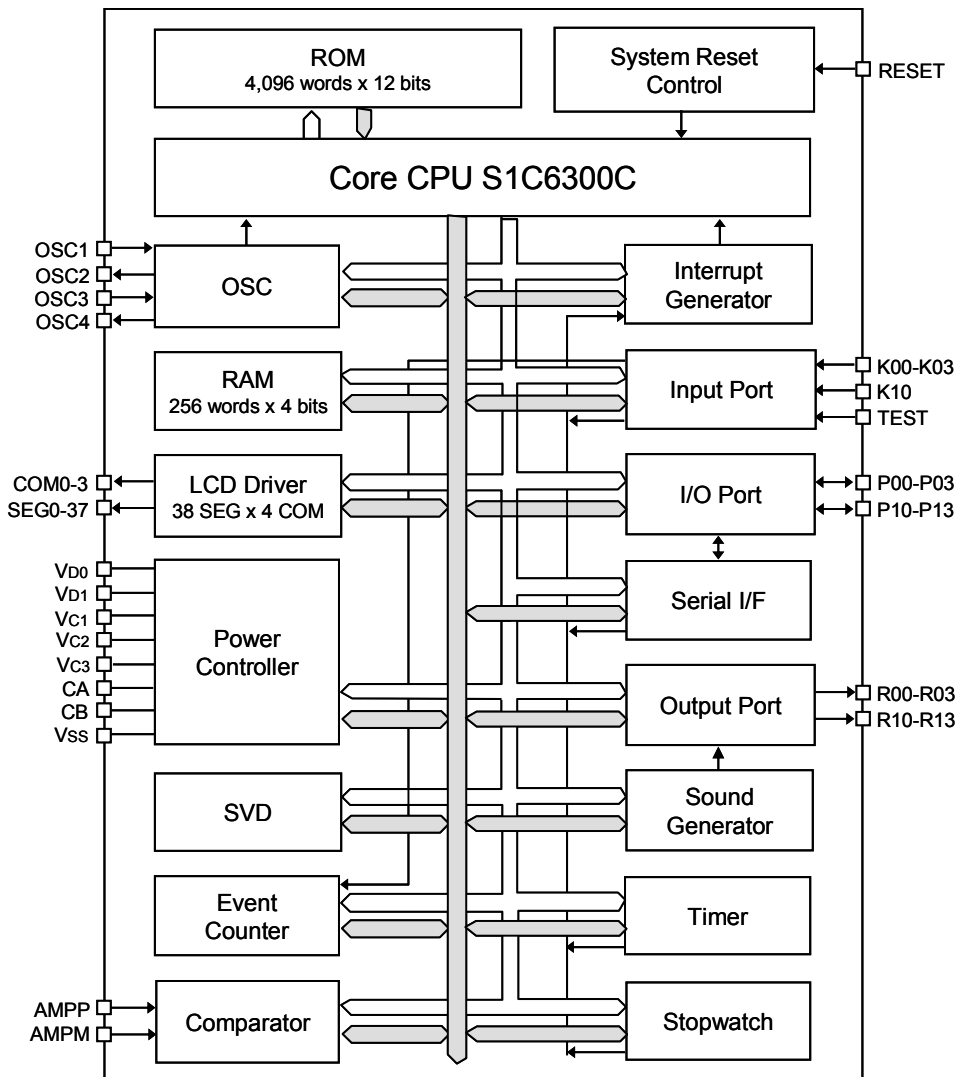
The S1C63158 is a microcomputer which has a high-performance 4-bit CPU S1C63000 as the core CPU, ROM (8,192 words × 13 bits), RAM (512 words × 4 bits), serial interface, watchdog timer, programmable timer, time base counter (1 system), SVD circuit, a 4-channel A/D converter and a special input port that can implement key position discrimination function using with the A/D converter. The S1C63158 features low voltage/high speed (4 MHz Max.) operation and low current consumption (2 µA Typ. in HALT mode), this makes it suitable for battery driven portable equipment such as a head phone stereo.

■ FEATURES

OSC1 oscillation circuit	32.768 kHz (Typ.) Crystal oscillation circuit or CR oscillation circuit (* 1)
OSC3 oscillation circuit	2 MHz (Typ.) CR or Ceramic oscillation circuit (* 1)
Instruction set	Basic instruction: 46 types (411 instructions with all)
	Addressing mode: 8 types
Instruction execution time	During operation at 32.768 kHz: Min. 61 µsec
	During operation at 4 MHz: Min. 0.5 µsec
ROM capacity	Code ROM: 8,192 words × 13 bits
RAM capacity	Data memory: 512 words × 4 bits
Input port	9 bits 8 bits (Pull-up resistors may be supplemented * 1)
	1 bit (Input interrupt for key position sensing by A/D)
Output port	12 bits (It is possible to switch the 2 bits to special output * 2)
I/O port	20 bits (It is possible to switch the 4 bits to serial input/output * 2)
	(It is possible to switch the 4 bits to A/D input * 2)
Serial interface	1 port (8-bit clock synchronous system)
Time base counter	1 system (Clock timer)
Programmable timer	Built-in, 2 channels × 8 bits, with event counter function
	or 1 channel × 16 bits (* 2)
Watchdog timer	Built-in
A/D converter	8-bit resolution
	Maximum error: ±3 LSB, A/D clock: Max. 1MHz
	(0.9 to 3.6 V, VC2 mode should be set when the supply voltage is 1.6 V or less.)
Buzzer output	Buzzer frequency: 2 kHz or 4 kHz (* 2), 2 Hz interval (* 2)
Supply voltage detection (SVD) circuit	16 values, programmable (1.05 V to 2.60 V)
External interrupt	Input port interrupt: 2 systems
	Key sensing interrupt: 1 system
Internal interrupt	Clock timer interrupt: 4 systems
	Programmable timer interrupt: 2 systems
	Serial interface interrupt: 1 system
	A/D converter: 1 system
Power supply voltage	0.9 V to 3.6 V
Operating temperature range	-20°C to 85°C
Current consumption (Typ.)	Single clock:
	During HALT (32 kHz) 1.5 V (normal mode) 2 µA
	During operation (32 kHz) 1.5 V (normal mode) 4 µA
	Twin clock:
	During operation (4 MHz) 3.0 V (normal mode) 900 µA
Package	QFP12-48pin, QFP13-64pin (plastic) or chip
	* 1: Can be selected with mask option
	* 2: Can be selected with software

S1C63158

■ BLOCK DIAGRAM



NOTICE:

No part of this material may be reproduced or duplicated in any form or by any means without the written permission of Seiko Epson. Seiko Epson reserves the right to make changes to this material without notice. Seiko Epson does not assume any liability of any kind arising out of any inaccuracies contained in this material or due to its application or use in any product or circuit and, further, there is no representation that this material is applicable to products requiring high level reliability, such as, medical products. Moreover, no license to any intellectual property rights is granted by implication or otherwise, and there is no representation or warranty that anything made in accordance with this material will be free from any patent or copyright infringement of a third party. This material or portions thereof may contain technology or the subject relating to strategic products under the control of the Foreign Exchange and Foreign Trade Law of Japan and may require an export license from the Ministry of Economy, Trade and Industry or other approval from another government agency.

All brands or product names mentioned herein are trademarks and/or registered trademarks of their respective companies.

©Seiko Epson Corporation 2012, All rights reserved

SEIKO EPSON CORPORATION

MICRODEVICES OPERATIONS DIVISION

Device Sales & Marketing Department
421-8 Hino, Hino-shi, Tokyo 191-8501, JAPAN
Phone: +81-42-587-5814 FAX: +81-42-587-5117

EPSON semiconductor website

http://www.epson.jp/device/semicon_e/

Document code: 412301200
First issue Feb, 2012 in Japan