

S1R72V17

CPU Connection Guide

NOTICE

No part of this material may be reproduced or duplicated in any form or by any means without the written permission of Seiko Epson. Seiko Epson reserves the right to make changes to this material without notice. Seiko Epson does not assume any liability of any kind arising out of any inaccuracies contained in this material or due to its application or use in any product or circuit and, further, there is no representation that this material is applicable to products requiring high level reliability, such as, medical products. Moreover, no license to any intellectual property rights is granted by implication or otherwise, and there is no representation or warranty that anything made in accordance with this material will be free from any patent or copyright infringement of a third party. This material or portions thereof may contain technology or the subject relating to strategic products under the control of the Foreign Exchange and Foreign Trade Law of Japan and may require an export license from the Ministry of Economy, Trade and Industry or other approval from another government agency.

Scope

This document applies to the S1R72V17 USB2.0 host/device controller LSI.

Table of Contents

1. Introduction	1
1.1 Overview.....	1
1.2 Related Documents	1
2. Connection Example with Standard CPU	2
3. Endian Settings for 16-bit Bus Width Connection	4
3.1 Connection to Big-endian CPU.....	4
3.2 Connection to Little-endian CPU	7
4. CPUIF Verification Procedure	10
5. Connection Example with FreeScale iMX21	14
5.1 Connection Example	14
5.2 iMX21 Bus Cycle Setting Example	16
5.3 Checking S1R72V17 AC Spec and iMX21 Bus Cycle	18

1. Introduction

1.1 Overview

This document contains information required for actual use of the S1R72V17 by the customer, focusing on the details necessary to connect the S1R72V17 to the control CPU.

This document describes typical connection methods. No guarantees are made regarding the suitability of these methods. The connection methods must be modified to suit specific customer system configurations.

The contents of this document are subject to change without notice.

1.2 Related Documents

- S1R72V17 Technical Manual (Hardware Specifications)

2. Connection Example with Standard CPU

2. Connection Example with Standard CPU

This section illustrates a typical connection with a standard CPU.

1) 16-bit bus, Strobe mode connection example

Set CPU_Config register (0x075h address) BusMode bit to “0” and Bus8x16 bit to “0.”

16bit Strobe mode

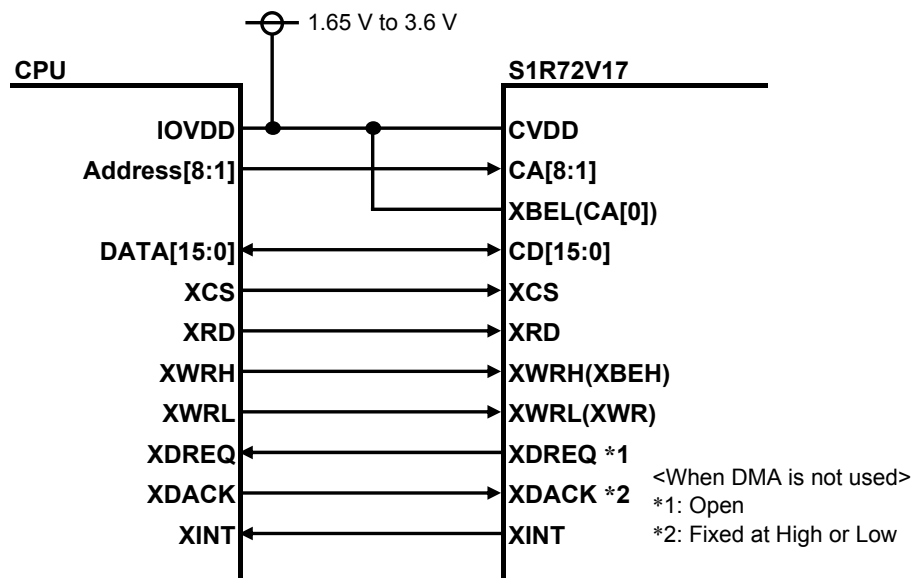


Fig. 2-1 16-bit bus, Strobe mode connection example

2. Connection Example with Standard CPU

2) 16-bit bus, BE mode connection example

Set CPU_Config register (0x075h address) BusMode bit to “1” and Bus8x16 bit to “0.”

16bit BE mode

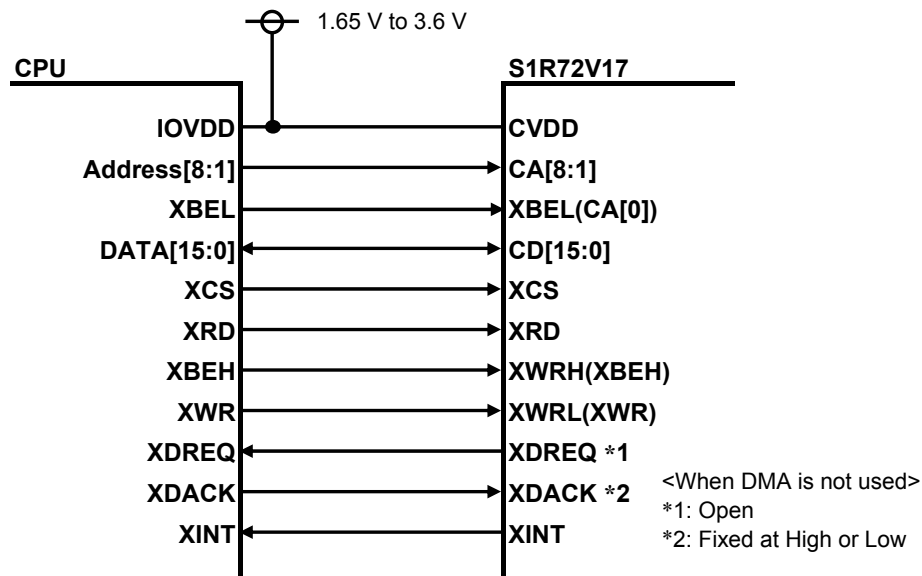


Fig. 2-2 16-bit bus, BE mode connection example

3) 8-bit bus mode connection example

Set CPU_Config register (0x075h address) BusMode bit to “0” and Bus8x16 bit to “1.”

8bit mode

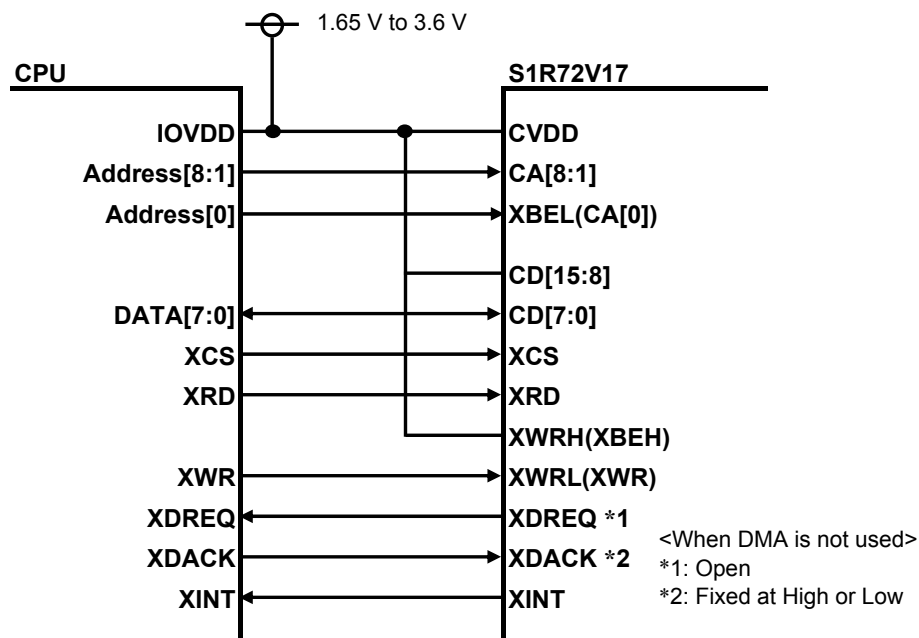


Fig. 2-3 8-bit bus mode connection example

3. Endian Settings for 16-bit Bus Width Connection

3. Endian Settings for 16-bit Bus Width Connection

This section describes endian settings when connecting to a CPU with a 16-bit bus width.

The discussion of the S1R72V17 registers divides them into the following three types. For register details, refer to the *S1R72V17 Technical Manual*.

- 1) Word register: Registers with `_H/_L/_HH/_HL/_LH/_LL` at the end of the register name
- 2) Byte register: Registers not corresponding to Word or FIFO registers
- 3) FIFO register: `RAM_Rd_00` to `_1F/RAM_WrDoor_0,1/FIFO_Rd_0,1/FIFO_Wr_0,1/FIFO_ByteRd` registers

3.1 Connection to Big-endian CPU

Access is normally in the mode with “0” set in the CPU_Config register (0x075h address) CPU_Endian bit.

- 1) Access to Word register

The S1R72V17 connects the D[15:8] bus to the first byte of the Word register and the D[7:0] bus to the last byte of the Word register.

The example below illustrates the writing and reading of 0x1234h data to/from the Word register.

Writing: The data (12h) in the CPU memory even-number address is saved to the first byte of the S1R72V17 Word register.

Reading: The first byte data (12h) of the S1R72V17 Word register is saved to the even-number address in CPU memory.

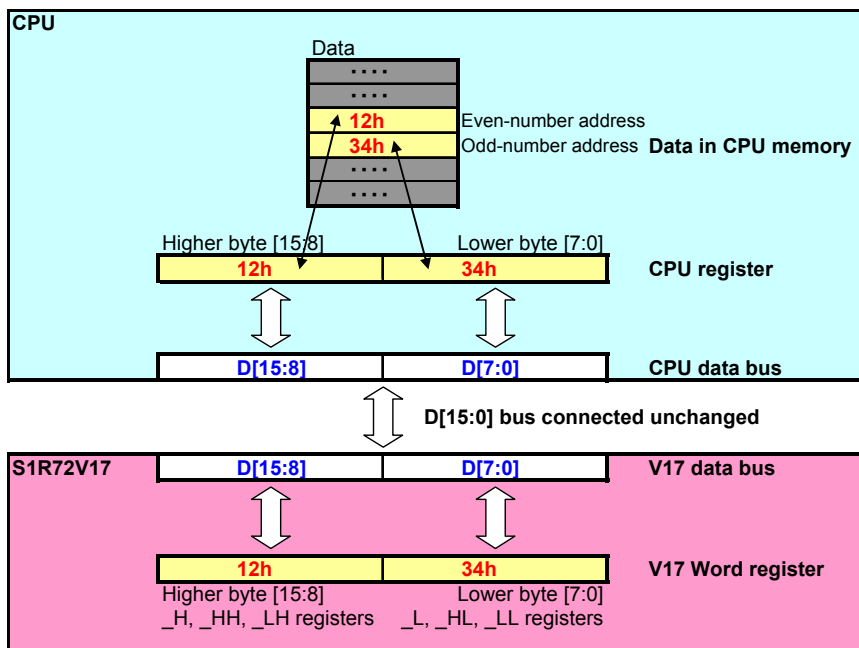


Fig. 3-1 Access to Word registers (big-endian CPU)

3. Endian Settings for 16-bit Bus Width Connection

2) Access to Byte register

The S1R72V17 connects the D[15:8] bus to the even-number address register and the D[7:0] bus to the odd-number address register when the CPU_Endian bit is set to “0.”

The example below illustrates the writing and reading of F1h to/from the Byte register even-number address register and of F2h to/from the Byte register odd-number address register.

Writing: The data (F1h) in the CPU memory even-number address is saved to the S1R72V17 even-number address register.

Reading: The S1R72V17 even-number address register data (F1h) is saved to the even-number address in CPU memory.

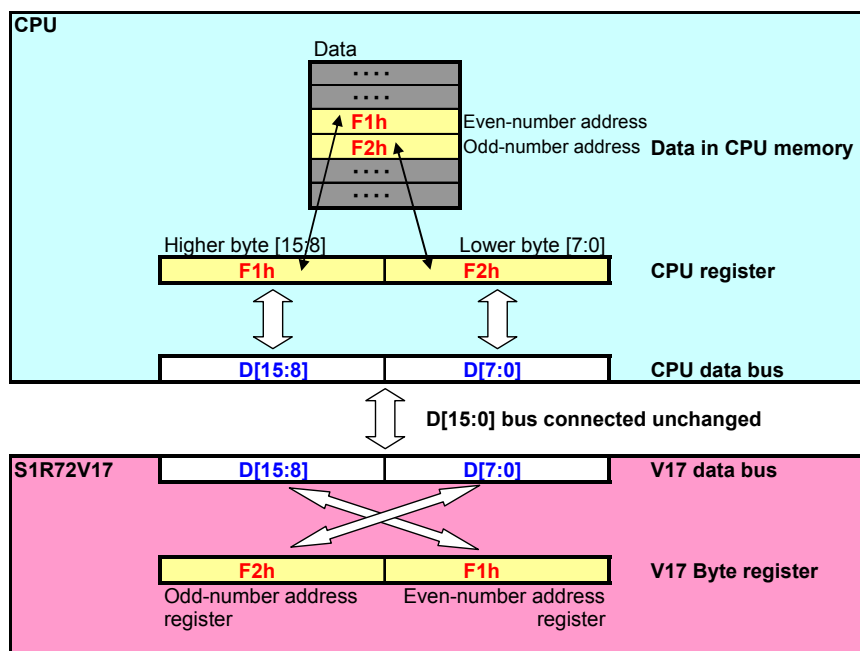


Fig. 3-2 Access to Byte registers (big-endian CPU)

3. Endian Settings for 16-bit Bus Width Connection

3) Access to FIFO register

The S1R72V17 connects the D[15:8] bus to the even-number address register and the D[7:0] bus to the odd-number address register when the CPU_Endian bit is set to “0.”

The example below illustrates transmission from the USB bus in the sequence C1h/C2h and receiving in the sequence C1h/C2h.

Writing: The data (C1h) in the CPU memory even-number address is sent from the USB bus as the first data.

Reading: The first data received from the USB bus (C1h) is saved to the even-number address in CPU memory.

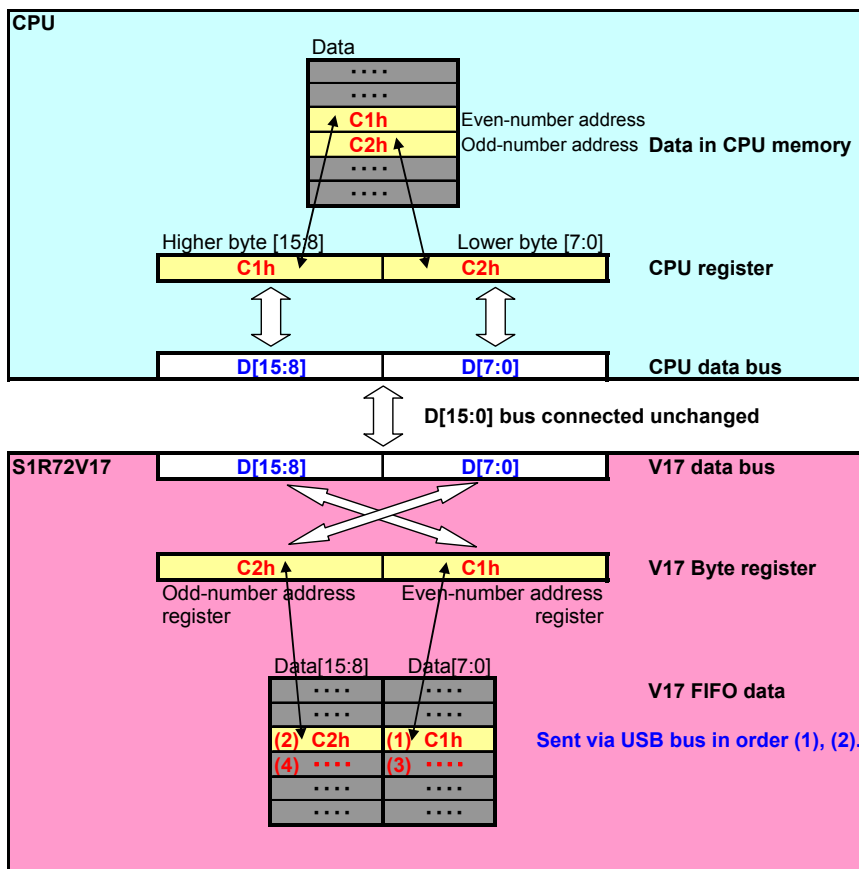


Fig. 3-3 Access to FIFO registers (big-endian CPU)

3.2 Connection to Little-endian CPU

Access is normally in the mode with “1” set in the CPU_Config register (0x075h address) CPU_Endian bit.

1) Access to Word register

The S1R72V17 connects the D[15:8] bus to the first byte of the Word register and the D[7:0] bus to the last byte of the Word register.

The example below illustrates the writing and reading of 0x1234h data to/from the Word register.

Writing: The data (34h) in the CPU memory even-number address is saved to the last byte of the S1R72V17 Word register.

Reading: The last byte data (34h) of the S1R72V17 Word register is saved to the even-number address in CPU memory.

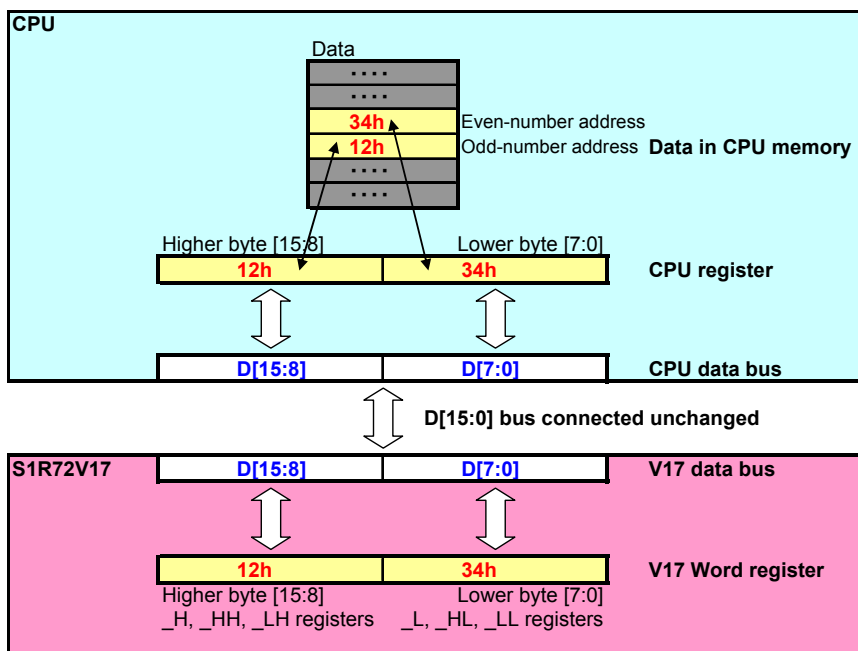


Fig. 3-4 Access to Word registers (little-endian CPU)

3. Endian Settings for 16-bit Bus Width Connection

2) Access to Byte register

The S1R72V17 connects the D[7:0] bus to the even-number address register and the D[15:8] bus to the odd-number address register when the CPU_Endian bit is set to “1.”

The example below illustrates the writing and reading of F1h to/from the Byte register even-number address register and of F2h to/from the Byte register odd-number address register.

Writing: The data (F1h) in the CPU memory even-number address is saved to the S1R72V17 even-number address register.

Reading: The S1R72V17 even-number address register data (F1h) is saved to the even-number address in CPU memory.

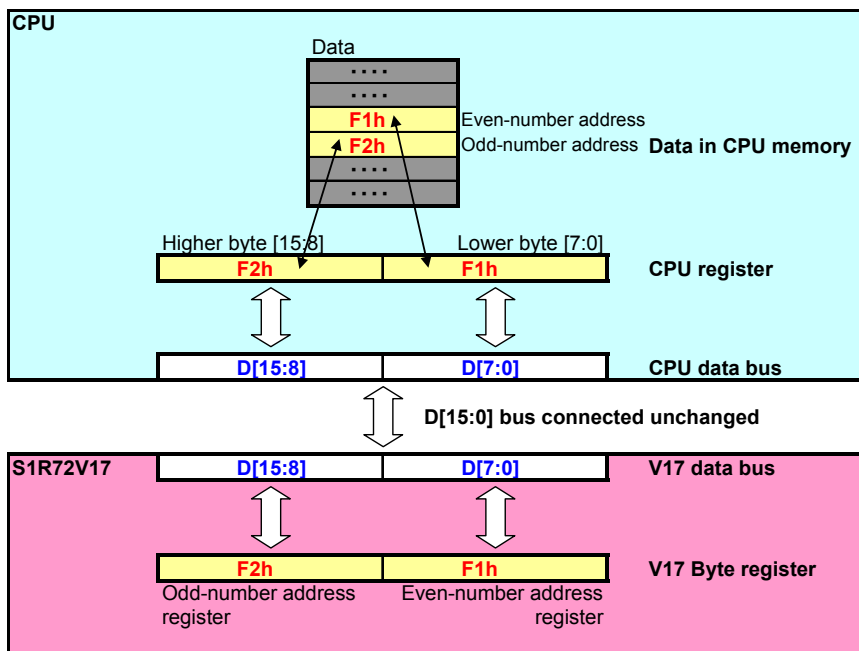


Fig. 3-5 Access to Byte registers (little-endian CPU)

3. Endian Settings for 16-bit Bus Width Connection

3) Access to FIFO register

The S1R72V17 connects the D[7:0] bus to the even-number address register and the D[15:8] bus to the odd-number address register when the CPU_Endian bit is set to “1.”

The example below illustrates transmission from the USB bus in the sequence C1h/C2h and receiving in the sequence C1h/C2h.

Writing: The data (C1h) in the CPU memory even-number address is sent from the USB bus as the first data.

Reading: The first data received from the USB bus (C1h) is saved to the even-number address in CPU memory.

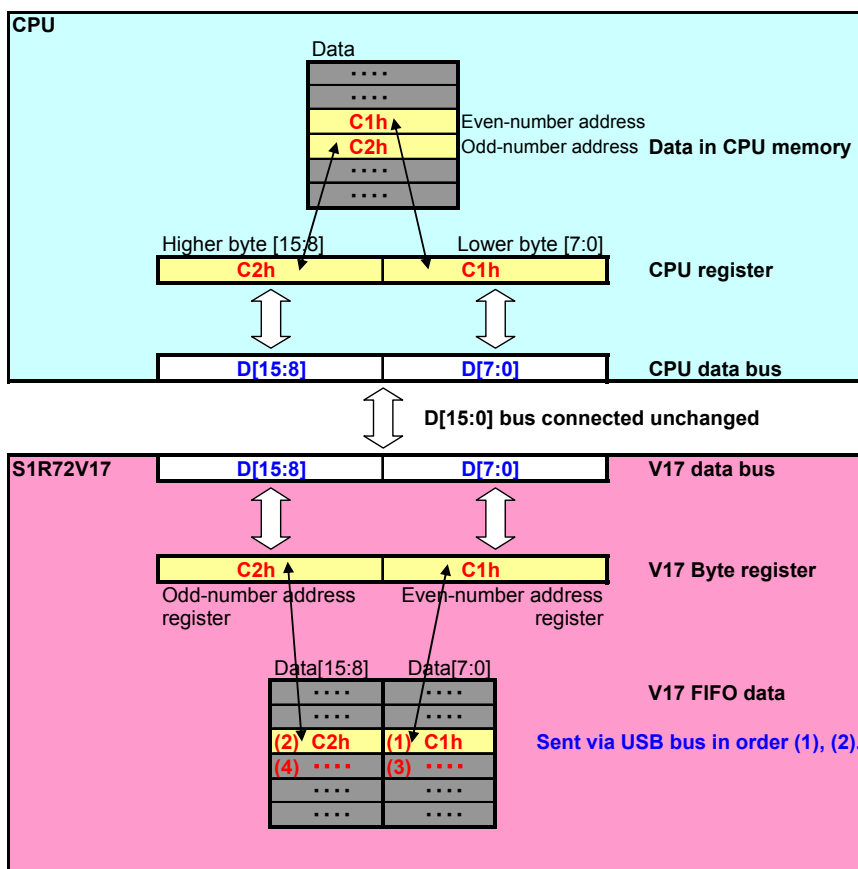


Fig. 3-6 Access to FIFO registers (little-endian CPU)

4. CPUIF Verification Procedure

4. CPUIF Verification Procedure

The procedure shown here checks whether the S1R72V17 is correctly connected to the CPU. Follow the procedure given below, using ICE on the CPU used to control this LSI.

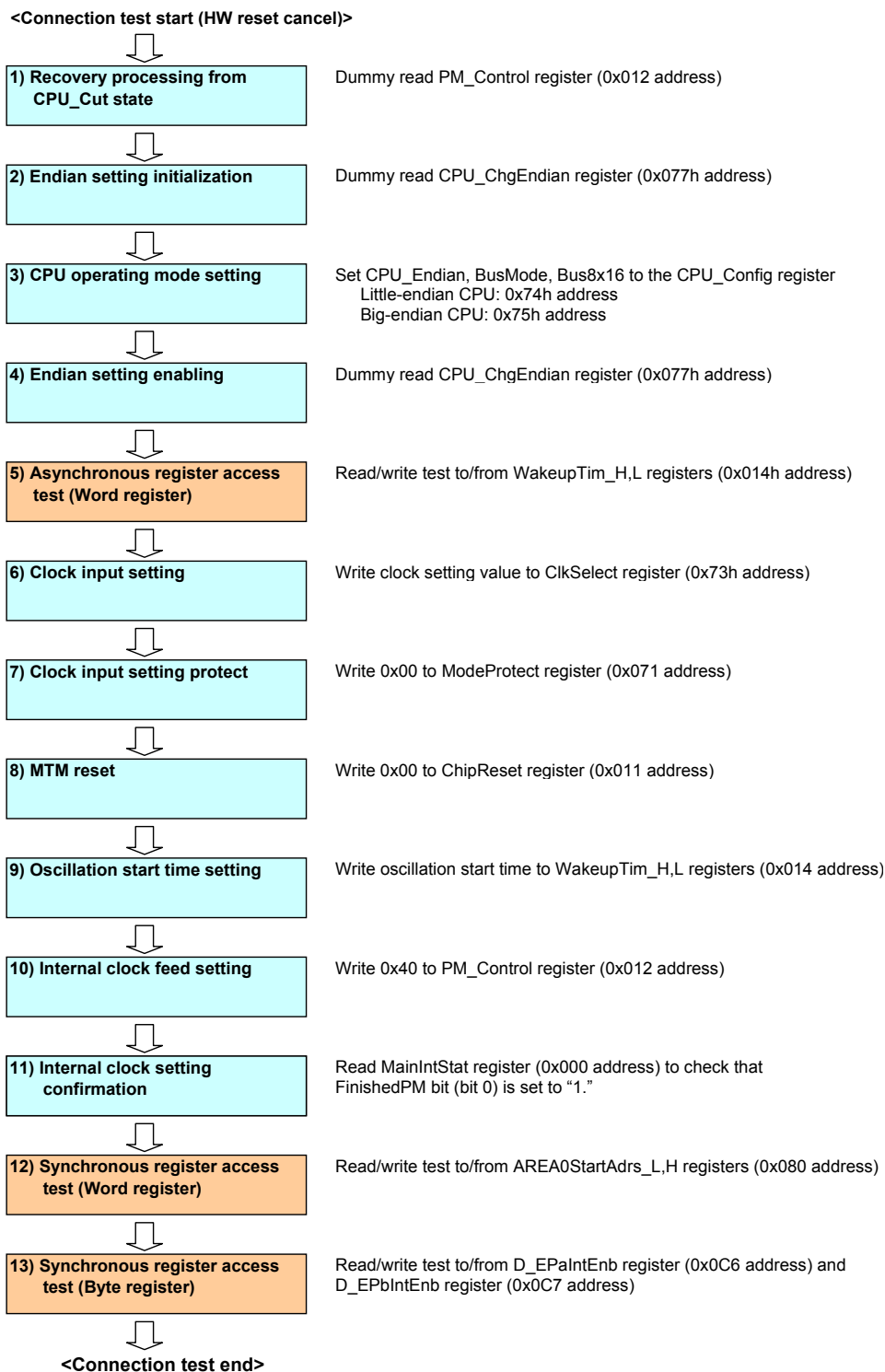


Fig. 4-1 CPU-IF verification procedure

1) Recovery processing from CPU_Cut state

Dummy read the PM_Control register (0x012h address).

The S1R72V17 switches to CPU_Cut state after resetting has been cancelled. This dummy read operation ends the CPU_Cut state and switches to Sleep. In the Sleep state, reading/writing is possible to/from all asynchronous registers.

2) Endian setting initialization

Dummy read the CPU_ChgEndian register (0x077h address).

Setting the ChipReset register (0x011h address) AllReset bit to “1” enables the reset CPU_Config register CPU_Endian setting after this register has been dummy read when the S1R72V17 has been reset.

3) CPU operating mode setting

Write the usage mode settings to the CPU_Config register CPU_Endian, BusMode, and Bus8x16 bits.

Little-endian CPU: 0x74h address

Big-endian CPU: 0x75h address

This register address is assigned to the 0x075h address. Since the S1R72V17 operates in the default big-endian state until this setting is changed, the 0x074h address should be accessed to access a little-endian CPU.

Table 4-1 CPU_Config register settings

Bus mode	CPU endian	Setting
16-bit Strobe mode	Little Endian	0x04
	Big Endian	0x00
16-bit BE mode	Little Endian	0x06
	Big Endian	0x02
8-bit mode	-	0x01

4) Endian setting enabling

Dummy read the CPU_ChgEndian register (0x77h address).

Reading this register enables the CPU_Endian bit set in 3).

5) Asynchronous register access test (Word register)

Read/write test to/from the WakeupTim_L,H registers (0x014 address).

This register can be read/written in the Sleep state. All bits are enabled.

Read/write testing this register checks whether the CPU data bus is correctly connected. If this read/write operation is not performed correctly, check the physical connection with the CPU.

4. CPUIF Verification Procedure

6) Clock input setting

Write the clock input setting value to the ClkSelect register (0x73h address).

This sets the clock input method and frequency used for the S1R72V17. The settings are shown in Table 4-2.

Table 4-2 ClkSelect register settings

Clock frequency	Clock input method	
	External oscillator	External clock source
12 MHz	0x00	0x80
24 MHz	0x01	0x81
48 MHz	Not available	0x83

7) Clock input setting protect

Write 0x00 to the ModeProtect register (0x071 address).

Writing a value other than 0x56 to this register enables write protection for the ClkSelect register.

8) MTM reset

Write 0x00 to the ChipReset register (0x011 address).

Clearing the bit7 ResetMTM bit to “0” clears the USB Transceiver Macro reset and enables oscillation of the PLL contained in the S1R72V17.

9) Oscillation start time setting

Write the oscillation start time to the WakeupTim_H,L registers (0x014 address).

With external clock source:

Write 0x0010. Note that the external clock source oscillation must have stabilized before this occurs.

With external oscillator:

The standard time is usually within the clock frequency $\pm 10\%$, but this will vary greatly, depending on the selected oscillator, circuit board, and external components. Write 0x2500 here to check the connection.

10) Internal clock feed setting

Write 0x40 to the PM_Control register (0x012 address).

Setting the bit6 GoActive bit to “1” starts the internal clock operation (starts OSC and PLL) and starts the clock feed to the internal circuit.

11) Internal clock feed confirmation

Read the MainIntStat register (0x000 address) to confirm that the FinishedPM bit (bit 0) has been set to “1.”

If this bit is not set, it is likely that the clock is not fed from the external clock when the external clock source is selected and that the oscillator is not oscillating correctly when the external oscillator is selected.

In this case, the 0x008 address (MainIntEnb register) bit 0 (EnFinishedPM bit) should be set to “1.” This asserts the XINT output pin to “Low.” Subsequently clearing the bit to “0” negates the XINT output pin to “High.” This operation should be used to confirm that an interrupt occurs in the CPU.

Writing “1” to the MainIntStat register (0x000 address) bit 0 (FinishedPM bit) clears this status. Read the MainIntStat register (0x000 address) bit 0 (FinishedPM bit) again to confirm that it has been cleared to “0.”

12) Synchronous register access test (Word register)

Read/write test to/from the AREA0StartAdrs_L,H registers (0x080 address).

These registers can be read/written in the Active state.

The first 3 bits (bits [15:13]) and the last 2 bits (bits [1:0]) cannot be written to. They will always read “0.”

13) Synchronous register access test (Byte register)

Read/write test to/from the D_EPbIntEnb register (0x0C6 address) and D_EPbIntEnb registers (0x0C7 address).

These registers can be read/written in the Active state.

The first bit (bit [7]) for the D_EPbIntEnb and D_EPbIntEnb registers cannot be written to and always reads “0.”

<This ends the connection test.>

5. Connection Example with FreeScale iMX21

5. Connection Example with FreeScale iMX21

5.1 Connection Example

This section illustrates an example of a connection between the proven CPU-IF on the S1R72V17 and the iMX21.

The connection uses the S1R72V17 16-bit BE mode bus mode.

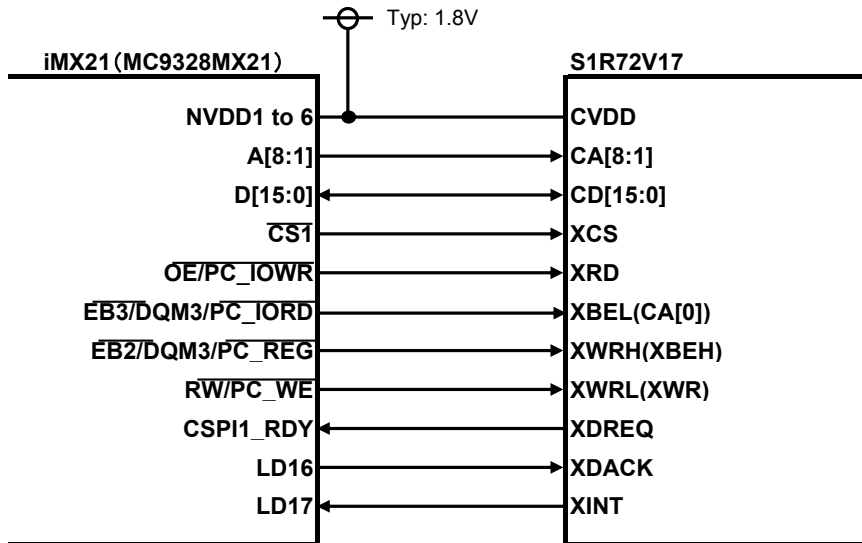


Fig. 5-1 Connection example with iMX21

1) CPU-IF power supply voltage

In this connection example, the CPU-IF supply voltage is Typ 1.8 V.

iMX21 IO supply voltage (NVDD1 to 6): 1.7 V to 3.3 V

S1R72V17 CPU-IF supply voltage (CVDD): 1.65 V to 3.6 V

2) iMX21 shared pin settings

The iMX21 shared pins are set as shown below in this connection example.

Table 5-1 iMX21 shared pin settings

iMX21 pin name	iMX21 pin function
NVDD1 to NVDD6	NVDD1 to NVDD6
A[8:1]	A[8:1]
D[15:0]	D[15:0]
CS1	CS1
OE/PC IOWR	OE
EB3/DQM3/PC IORD	EB3
EB2/DQM2/PC REG	EB2
RW/PC WE	RW
CSPI1_RDY	EXT_DMAREQ
LD16	EXT_DMAGRANT
LD17	PA23(GPIO used as XINT)

5. Connection Example with FreeScale iMX21

5.2 iMX21 Bus Cycle Setting Example

- **iMX21 clock settings**

The iMX21 clock settings are set as shown below in this connection example.

System clock: 264 MHz

CPU-IF bus clock (HCLK): 88 MHz (system clock 3 divisions)

- **Bus cycle settings**

CS1U register (0xDF001008 address) Setting: 0x0402_0700

31	30	29	28	27	26	25	24	23	22	21	20	19	18	17	16
SP	WP	DCT		RWA				PSZ		PME	SYNC	RWN			
15	14	13	12	11	10	9	8	7	6	5	4	3	2	1	0
CNC		WSC						EW	WWS			EDC			

CS1L register (0xDF00100C address) Setting: 0x4200_0D01

31	30	29	28	27	26	25	24	23	22	21	20	19	18	17	16
OEA				OEN				WEA				WEN			
15	14	13	12	11	10	9	8	7	6	5	4	3	2	1	0
CSA				EBC	DSZ			CSN				PSR	CRE	WRAF	CSEN

Setting descriptions

Register	Setting	Description
RWA	4'b0100	RW output assert timing (2HCLK)
SYNC	1'b0	Synchronous transfer mode (disabled)
RWN	4'b0010	RW output negate timing (1HCLK)
WSC	6'b000111	Access cycle (8HCLK)
WWS	3'b000	Wait cycle for write (0HCLK)
OEA	4'b0100	OE output assert timing (2HCLK)
OEN	4'b0010	OE output negate timing (1HCLK)
WEA	4'b0000	EBx output assert timing (0HCLK)
WEN	4'b0000	EBx output negate timing (0HCLK)
CSA	4'b0000	CS1 output assert timing (0HCLK)
EBC	1'b1	EB3, 2 output mode for read (disabled)
DSZ	3'b101	Data bus size (using 16 bits [15:0])
CSN	4'b0000	CS1 output assert timing (0HCLK)
CSEN	1'b1	CS1 enable (enabled)

Fig. 5-2 Bus cycle setting registers

• Bus cycle waveform

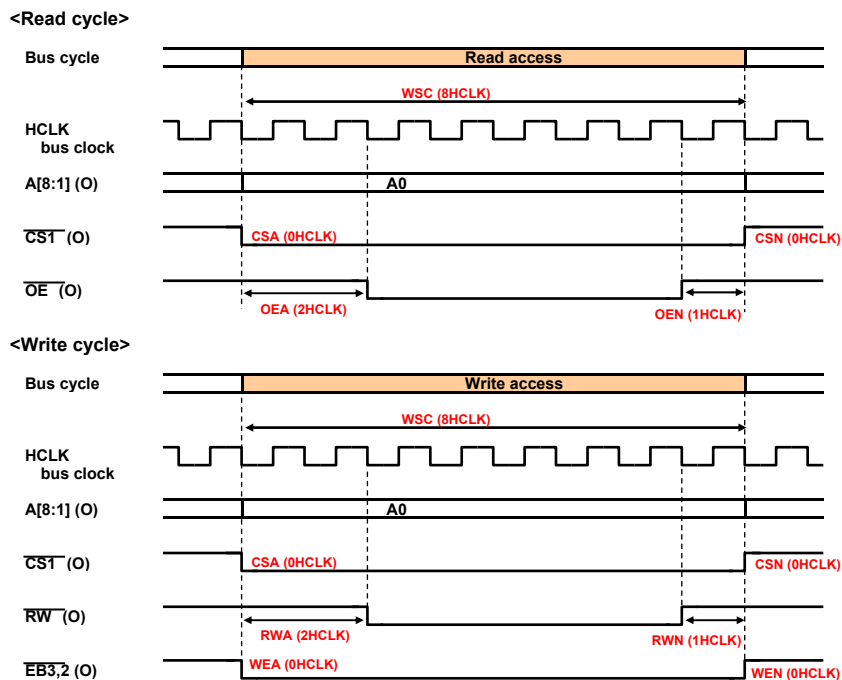


Fig. 5-3 iMX21 bus cycle waveform

5. Connection Example with FreeScale iMX21

5.3 Checking S1R72V17 AC Spec and iMX21 Bus Cycle

The table below compares S1R72V17 AC specification values to iMX21 bus cycle settings.

For more information on S1R72V17 AC specification, refer to “CPU/DMA IF Access Timing” (8.4.3.1 Basic Cycle) in the *S1R72V17 Technical Manual*.

Table 5-2 AC Specification Comparison

S1R72V17 CPU/DMA IF access timing				iMX21 setting		
Code	Item	min	max	Cycles	unit	iMX21 setting register
tcas	Address setup time	6	-	2	HCLK	RWA, OEA
tcah	Address hold time (from strobe negation)	6	-	1	HCLK	RWN, OEN
tsah	Address hold time (from strobe assertion)	55	-	6	HCLK	WSC-(RWA, OEA)
tccs	XCS setup time	6	-	2	HCLK	RWA, OEA
tcch	XCS hold time	6	-	1	HCLK	RWN, OEN
trcy	Read cycle	80	-	8	HCLK	WSC
tras	Read strobe assert time	40	-	5	HCLK	WSC-(OEA+OEN)
trng	Read strobe negate time	25	-	3	HCLK	OEA+OEN
trbd	Read data output start time	1	-	—		
trdf	Read data confirmation time	-	35	5	HCLK	WSC-(OEA+OEN)
trdh	Read data hold time	3	-	—		
trbh	Read data output delay time	-	9	—		
twcy	Write cycle	80	-	8	HCLK	WSC
twas	Write strobe assert time	40	-	5	HCLK	WSC-(RWA+RWN)
twng	Write strobe negate time	25	-	3	HCLK	RWA+RWN
twbs	Write byte enable setup time	6	-	2	HCLK	RWA
twbh	Write byte enable hold time	6	-	1	HCLK	RWN
twds	Write data setup time	0	-	1.5	HCLK	RWA - 0.5HCLK (data output start)
twdh	Write data hold time	0	-	1	HCLK	RWN
tdrn	XDREQ negate delay time	-	35	—		
tdaa	XDREQ setup time	6	-	—		
tdan	XDREQ hold time	6	-	—		

($C_L=30\text{pf}$)

1HCLK=11.36ns (88MHz)

Revision History

Revision History

Date	Revision details			
	Rev.	Page	Type	Details
06/06/2008	1.0	All	New	Newly created

AMERICA

EPSON ELECTRONICS AMERICA, INC.**HEADQUARTERS**

2580 Orchard Parkway
San Jose, CA 95131, USA
Phone: +1-800-228-3964 FAX: +1-408-922-0238

SALES OFFICES**Northeast**

301 Edgewater Place, Suite 210
Wakefield, MA 01880, U.S.A.
Phone: +1-800-922-7667 FAX: +1-781-246-5443

EUROPE

EPSON EUROPE ELECTRONICS GmbH**HEADQUARTERS**

Riesstrasse 15 Muenchen Bayern, 80992 GERMANY
Phone: +49-89-14005-0 FAX: +49-89-14005-110

ASIA

EPSON (CHINA) CO., LTD.

7F, Jinbao Bldg., No.89 Jinbao St., Dongcheng District,
Beijing 100005, China
Phone: +86-10-6410-6655 FAX: +86-10-6410-7320

SHANGHAI BRANCH

7F, Block B, Hi-Tech Bldg., 900, Yishan Road,
Shanghai 200233, CHINA
Phone: +86-21-5423-5522 FAX: +86-21-5423-5512

EPSON HONG KONG LTD.

20/F., Harbour Centre, 25 Harbour Road
Wanchai, Hong Kong
Phone: +852-2585-4600 FAX: +852-2827-4346
Telex: 65542 EPSCO HX

EPSON (CHINA) CO., LTD.**SHENZHEN BRANCH**

12/F, Dawning Mansion, Keji South 12th Road,
Hi-Tech Park, Shenzhen
Phone: +86-755-2699-3828 FAX: +86-755-2699-3838

EPSON TAIWAN TECHNOLOGY & TRADING LTD.

14F, No. 7, Song Ren Road,
Taipei 110
Phone: +886-2-8786-6688 FAX: +886-2-8786-6660

EPSON SINGAPORE PTE., LTD.

1 HarbourFront Place,
#03-02 HarbourFront Tower One, Singapore 098633
Phone: +65-6586-5500 FAX: +65-6271-3182

SEIKO EPSON CORPORATION**KOREA OFFICE**

50F, KLI 63 Bldg., 60 Yoido-dong
Youngdeungpo-Ku, Seoul, 150-763, KOREA
Phone: +82-2-784-6027 FAX: +82-2-767-3677

GUMI OFFICE

2F, Grand B/D, 457-4 Songjeong-dong,
Gumi-City, KOREA
Phone: +82-54-454-6027 FAX: +82-54-454-6093

SEIKO EPSON CORPORATION**SEMICONDUCTOR OPERATIONS DIVISION****IC Sales Dept.****IC International Sales Group**

421-8, Hino, Hino-shi, Tokyo 191-8501, JAPAN
Phone: +81-42-587-5814 FAX: +81-42-587-5117