

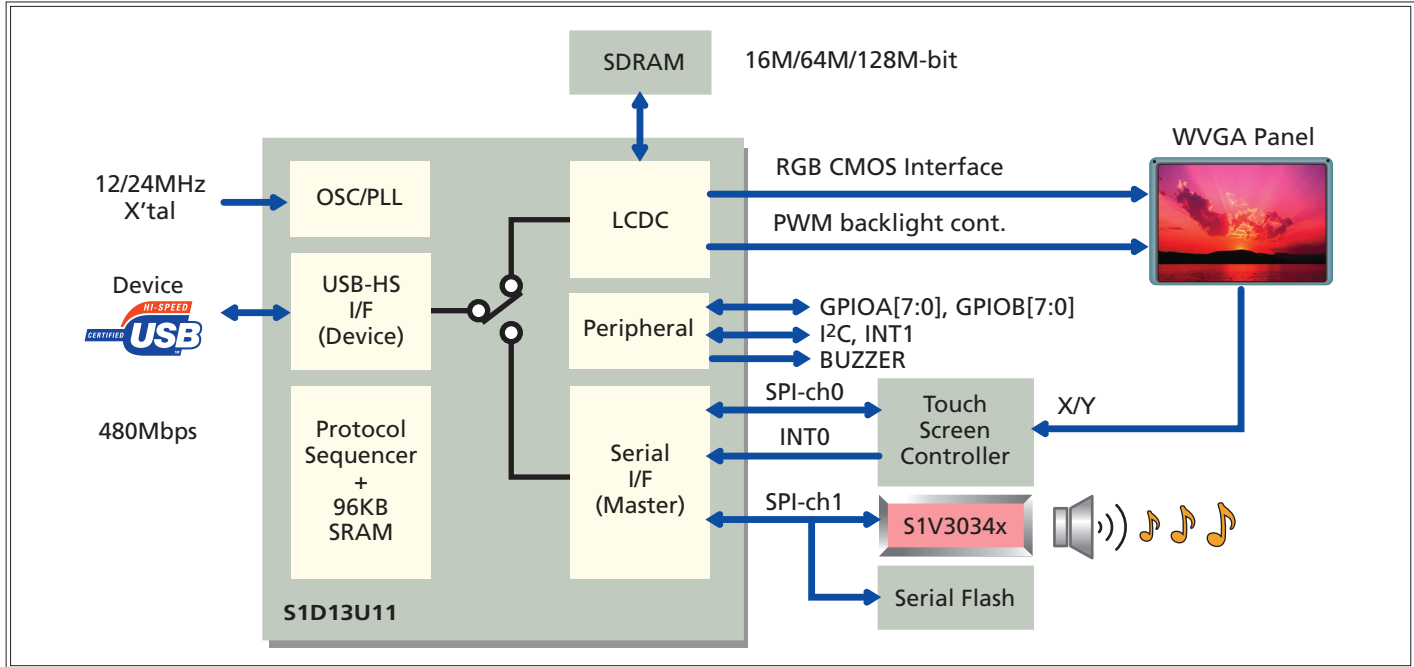
## ■ USB Interface LCD Controller

LCD controller allowing for reception of display data and transmission of touch-screen coordinate data at high speed via USB2.0-HS.

Most suitable for application to OA equipment such as multi-functional printers with long lengths of cabling between the host CPU and LCD panel, and to in-vehicle devices such as rear entertainment displays.

Product	CPU Interface Support	LCD Interface Support				Color Depth (Max.)	Internal Memory Capacity	External Memory Capacity	Supply Voltage		Additional Features	Package
		Monochrome STN	Color STN	TFT	Typical Resolution				Core	IO		
S1D13U11F00A	USB2.0 HS	n/a	n/a	18-bit / 24-bit	SVGA	16M colors	0	Up to 16MB SDRAM	1.65V to 1.95V	3.0V to 3.6V	PinP α-Blend	QFP20-144

## ■ S1D13U11 Block Diagram



## ■ S1D13U11 Evaluation Board (S5U13U11P00C100)

