

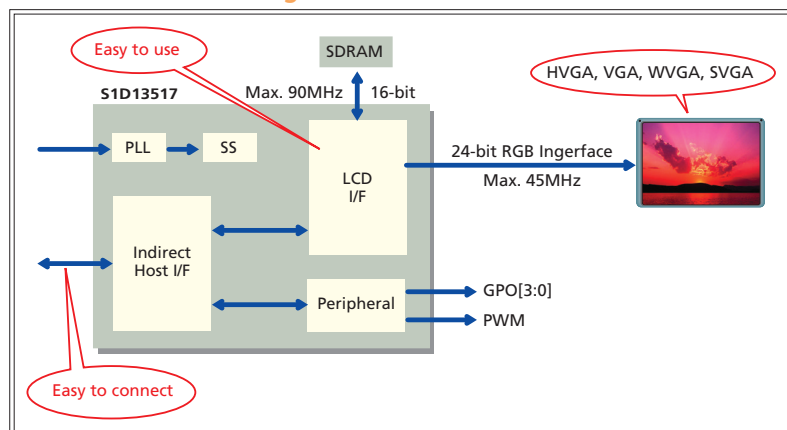
■ LCD Controller with External VRAM

LCD controller for application in a wide range of small- to large-size panel types.

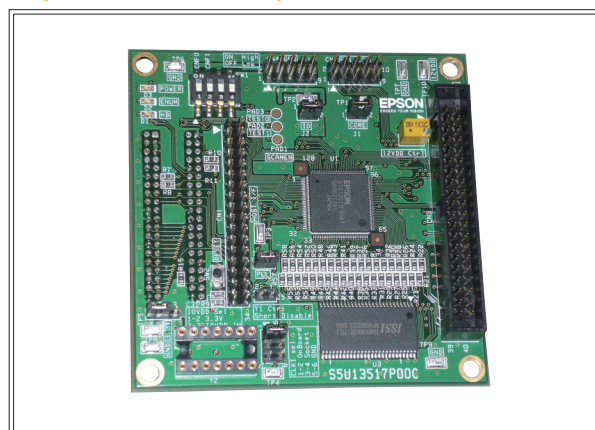
This product is most suitable for the display control of OA or FA equipment operation panels as well as for in-vehicle devices.

Product	CPU Interface Support	LCD Interface Support				Color Depth (Max.)	External Memory Capacity	Supply Voltage		Additional Features	Package
		Monochrome STN	Color STN	TFT	Typical Resolution			Core	IO		
S1D13513F01A	16-bit I/F, Direct addressing, Indirect addressing, Serial I/F	8-bit	8-bit	18-bit	XGA	MSTN:64 grayscale CSTN:256K colors TFT:256K colors	Up to 16MB SDRAM	1.65V to 1.95V	3.0V to 3.6V	2D Sprite, 2D BitBLT	QFP22-208
S1D13513B01B	16-bit I/F, Direct addressing, Indirect addressing, Serial I/F	8-bit	8-bit	18-bit / 24-bit	XGA	MSTN:64 grayscale CSTN:256K colors TFT:16M colors	Up to 64MB SDRAM	1.65V to 1.95V	3.0V to 3.6V	2D Sprite, 2D BitBLT	PBGA1UC256
S1D13515F00A B00B	16-bit I/F, Direct addressing, Indirect addressing, Serial I/F	n/a	n/a	18-bit / 24-bit	XGA	16M colors	Up to 64MB SDRAM	1.65V to 1.95V	3.0V to 3.6V	Prewarping Embedded RISC CPU	QFP22-256 PBGA1UC256
S1D13517F00A	8-bit / 16-bit I/F Indirect addressing	n/a	n/a	18-bit / 24-bit	SVGA	16M colors	Up to 16MB SDRAM	2.3V to 2.7V	3.0V to 3.6V	PinP α-Blend	QFP15-128

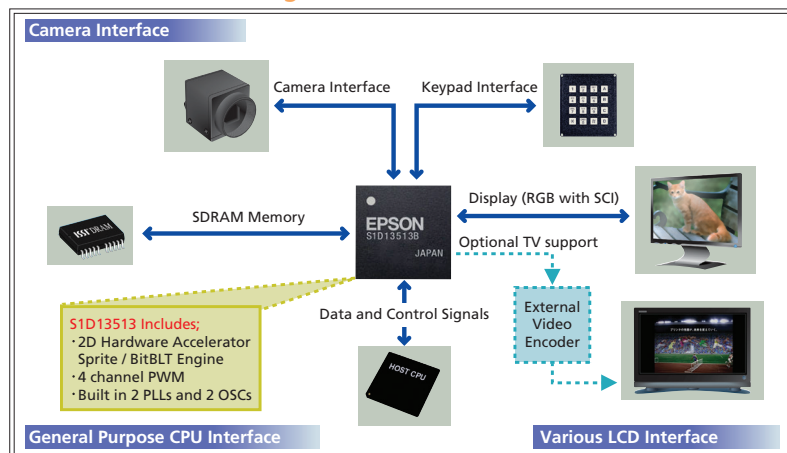
■ S1D13517 Block Diagram



■ S1D13517 Evaluation Board (S5U13517P00C100)



■ S1D13513 Block Diagram



■ S1D13513 Evaluation Board (S5U13513P00C100)

