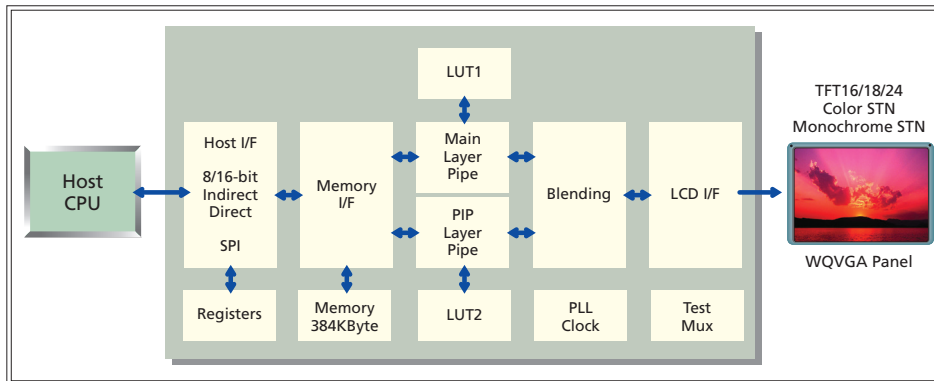


■ LCD Controller with Built-in VRAM

A single-chip LCD controller with built-in display memory allowing for low power consumption, low noise, and space-saving ability. This product is most suitable for the display control of mobile terminals and operation panels.

Product	CPU Interface Support	LCD Interface Support				Color Depth (Max.)	Internal Memory Capacity	Supply Voltage		Additional Features	Package
		Monochrome STN	Color STN	TFT	Typical Resolution			Core	IO		
S1D13700F02A	8-bit I/F, Direct addressing Indirect addressing	4-bit	n/a	n/a	QVGA	16 grayscale	32KB, SRAM	3.0V to 3.6V	3.0V to 5.5V	3 overlay screens	TQFP13-64
S1D13705F00A	8-bit I/F (with external logic) 16-bit I/F, Direct addressing	4-bit / 8-bit	4-bit / 8-bit	9-bit / 12-bit	QVGA	MSTN:16 grayscale CSTN:256 colors TFT:256 colors	80KB, SRAM	2.7V to 3.6V	2.7V to 5.5V	SwivelView	QFP14-80
S1D13706F00A	8-bit I/F(with external logic), 16-bit I/F, Direct addressing	4-bit / 8-bit	4-bit / 8-bit / 16-bit	9-bit / 12-bit / 18-bit	QVGA	MSTN:64 grayscale CSTN:64K colors TFT:64K colors	80KB, SRAM	1.8V to 3.6V	1.8V to 3.6V	SwivelView, PinP	TQFP15-100
S1D13709F00A	8-bit I/F, Direct addressing Indirect addressing	4-bit	n/a	4-bit mono/ 6-bit color	QVGA	MSTN:16 grayscale TFT:64 colors	32KB, SRAM	3.0V to 5.5V	3.0V to 5.5V	3 overlay screens	TQFP14-80
S1D13742F01A	8-bit / 16-bit I/F Indirect addressing	n/a	n/a	18-bit	VGA	256K colors	768KB, SRAM	1.4V to 1.6V	1.65V to 3.60V	SwivelView	QFP20-144
S1D13743F00A	8-bit / 16-bit I/F Indirect addressing	n/a	n/a	18-bit / 24-bit	WQVGA	16M colors	464KB, SRAM	1.4V to 1.6V	1.65V to 3.60V	SwivelView	QFP20-144
S1D13748F00A S1D13748B00B	16-bit I/F, Indirect addressing	n/a	n/a	18-bit / 24-bit	WVGA	64K colors	1024KB, SRAM	1.35V to 1.65V	1.62V to 3.60V	PinP	QFP20-144 PFBGA10U-121
S1D13781F00A	8-bit / 16-bit I/F, Direct addressing Indirect addressing, SPI	4-bit / 8-bit	8-bit / 16-bit	16-bit / 18-bit / 24-bit	WQVGA	MSTN:64 grayscale CSTN:64K colors TFT:16M colors	384KB, SRAM	1.35V to 1.65V	1.62V to 3.60V	PinP, a-Blend, 2D BitBLT	QFP15-100
S1D13A04F00A B00B	8-bit I/F (with external logic) 16-bit I/F, Direct addressing	4-bit / 8-bit	4-bit / 8-bit / 16-bit	9-bit / 12-bit / 18-bit	QVGA	MSTN:64 grayscale CSTN:64K colors TFT:64K colors	160KB, SRAM	1.8V to 2.75V	3.0V to 3.6V	2D BitBLT, SwivelView, USB client 1.1	TQFP15-128 PFBGA10U-121
S1D13A05B00B	8-bit I/F (with external logic) 16-bit I/F, Direct addressing	4-bit / 8-bit	4-bit / 8-bit / 16-bit	9-bit / 12-bit / 18-bit	QVGA	MSTN:64 grayscale CSTN:64K colors TFT:64K colors	256KB, SRAM	1.8V to 2.75V	3.0V to 3.6V	2D BitBLT, SwivelView, USB client 1.1	PFBGA10U-121

■ S1D13781 Block Diagram



■ S1D13781 Evaluation Board (S5U13781P00C100)

