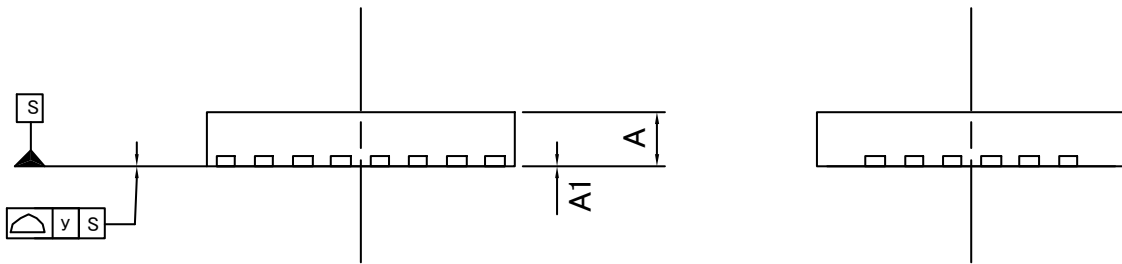
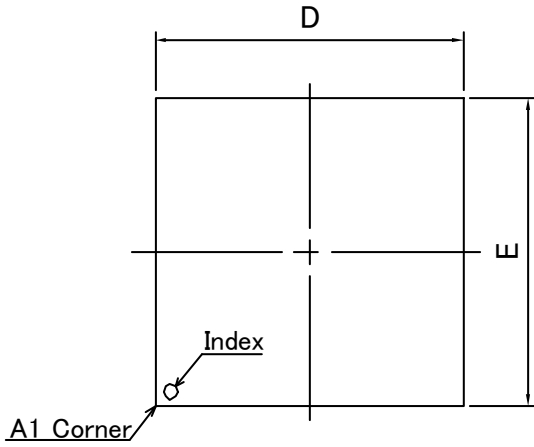
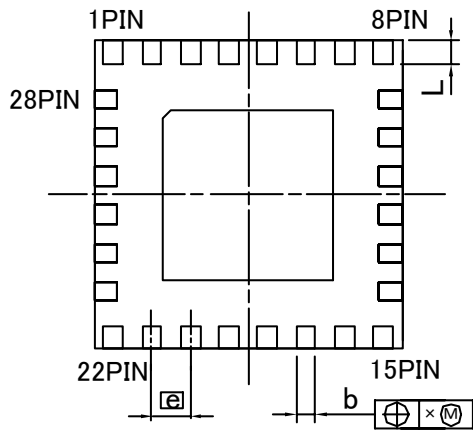


## Top View



## Bottom View



Symbol	Dimension in Millimeters		
	Min	Nom	Max
D	-	4	-
E	-	4	-
A	-	-	0.65
A <sub>1</sub>	0	-	-
ⓐ	-	0.5	-
b	0.15	-	0.35
L	0.2	-	0.4
x	-	-	0.1
y	-	-	0.08

Unit ; mm

TITLE

P-UPLP028-04.00 × 04.00-0.50 (PLP064040A-28PIN)

**SEIKO EPSON CORP.**