

32-bit Single Chip Microcontroller

- High-speed 32-bit RISC Core
- Multiply Accumulation
- 10-bit ADC
- Built-in RAM
- High-speed DMA, Intelligent DMA
- Twin-clock Oscillator

■ DESCRIPTIONS

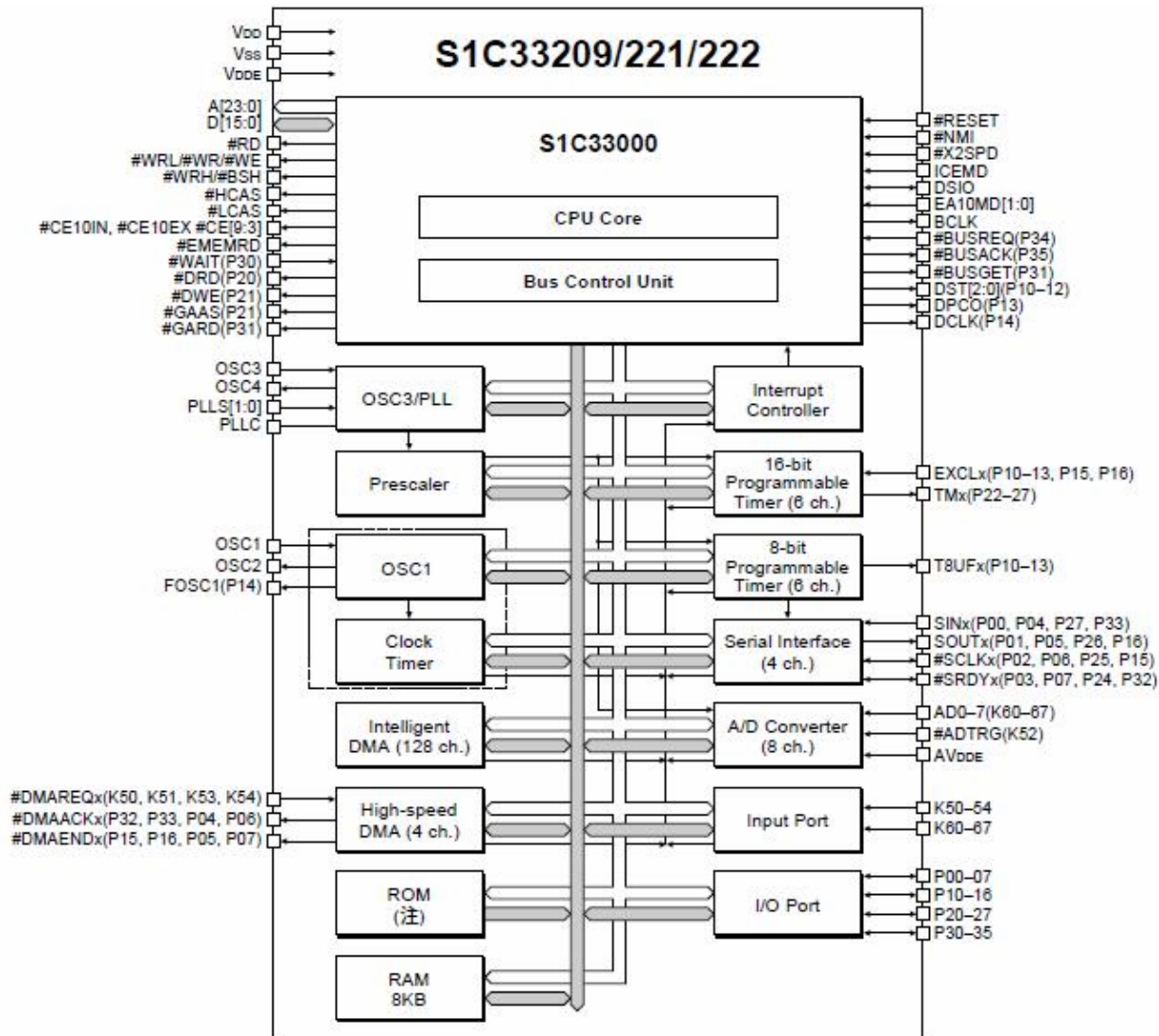
The S1C33221/222 is a CMOS 32-bit microcomputer composed of a CMOS 32-bit RISC core, ROM, RAM, DMA, timers, SIO, PLL and other circuits. The S1C33221/222 can be operated with high speed and spend little current. With the ADC, PWM and the MAC function, the S1C33221/222 is suitable for voice applications, PDAs and OA products such as printers.

■ FEATURES

- CMOS LSI 32-bit parallel processing S1C33000 RISC core
- Main clock 50MHz (Max., up to 12.5MHz external clock input)
- Sub clock 32.768kHz (Typ., crystal)
- Instruction set 16-bit fixed length, 105 instructions
(MAC instruction is included, 2 cycles)
- Internal RAM size 8,192 bytes
- Internal ROM size 131,072 bytes (S1C33221), 65,536 bytes (S1C33222)
- Clock timer 1 channel
- Programmable timer 8 bits × 6 channels and 16 bits × 6 channels
- PWM timer Realized with a 16-bit programmable timer
- Watchdog timer Realized with a 16-bit programmable timer
- Serial interface 4 channels
Clock synchronization type and asynchronization type are selectable.
Usable as an infrared ray (IrDA) interface.
- 10-bit A/D converter Successive approximation type, 8 input channels
- High-speed DMA 4 channels
- Intelligent DMA 128 channels
- I/O port Input port : 13 bits
I/O port : 29 bits
Pins are shared with the inputs and outputs of built-in peripheral circuits.
- Interrupt controller External interrupts : 10 types
Internal interrupts: 29 types
- External bus interface 24-bit address bus, 16-bit data bus, 7 chip enable pins
DRAM and burst ROM may be connected directly.
- Shipping form QFP15-128pin
- Supply voltage Core voltage : 1.8 to 3.6V
I/O voltage: 1.8 to 5.5V
- Current consumption SLEEP state : 10μA (3.3V, 32.768kHz, clock timer run state, Typ.)
: 2.5μA (2.0V, 32.768kHz, clock timer run state, Typ.)
RUN state : 70mA (3.3V, 50MHz Typ.)

S1C33221/222

■ Block Diagram



注: S1C33209はなし
S1C33221は128KB
S1C33222は64KB

NOTICE:

No part of this material may be reproduced or duplicated in any form or by any means without the written permission of Seiko Epson. Seiko Epson reserves the right to make changes to this material without notice. Seiko Epson does not assume any liability of any kind arising out of any inaccuracies contained in this material or due to its application or use in any product or circuit and, further, there is no representation that this material is applicable to products requiring high level reliability, such as, medical products. Moreover, no license to any intellectual property rights is granted by implication or otherwise, and there is no representation or warranty that anything made in accordance with this material will be free from any patent or copyright infringement of a third party. This material or portions thereof may contain technology or the subject relating to strategic products under the control of the Foreign Exchange and Foreign Trade Law of Japan and may require an export license from the Ministry of Economy, Trade and Industry or other approval from another government agency.

All brands or product names mentioned herein are trademarks and/or registered trademarks of their respective companies.

©Seiko Epson Corporation 2009, All rights reserved.

SEIKO EPSON CORPORATION

SEMICONDUCTOR OPERATIONS DIVISION

■ Epson semiconductor website

http://www.epson.jp/device/semicon_e/

IC Sales Department

IC International Sales Group

421-8 Hino, Hino-shi, Tokyo 191-8501, JAPAN
Phone: +81-42-587-5814 FAX: +81-42-587-5117

Document code: 411875600

First issue Dec, 2009