

## On-The-Go device controller

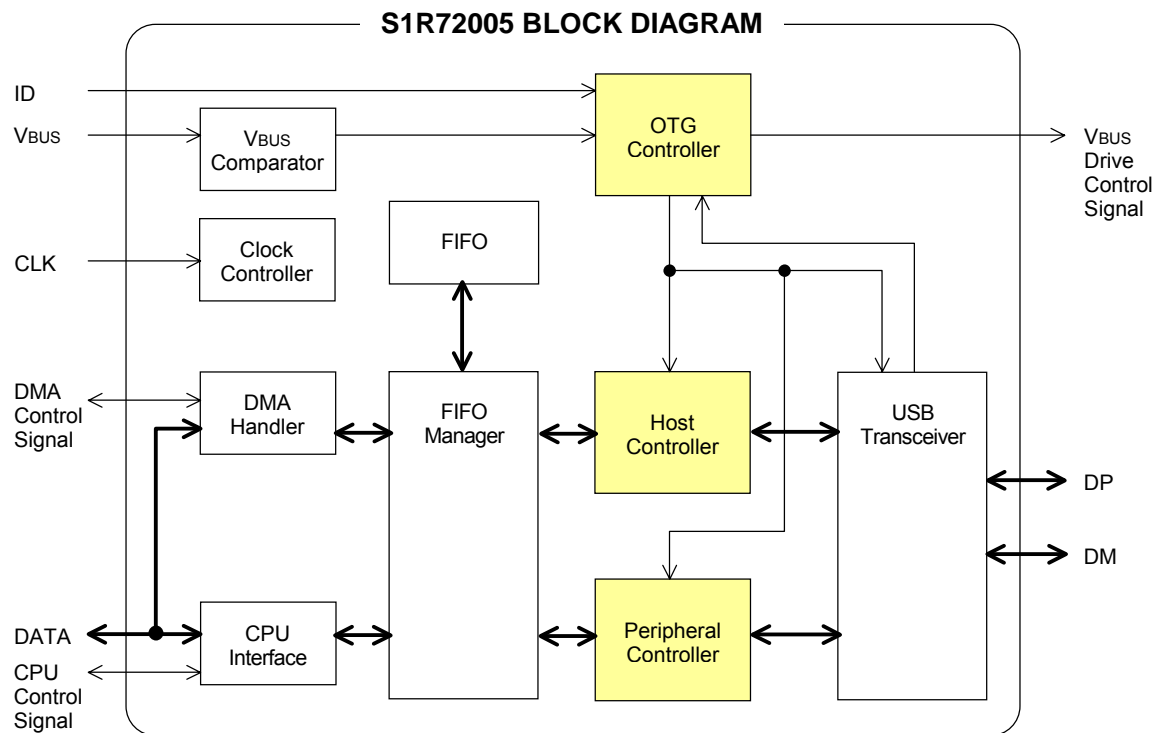
- On-The-Go (Supplement to the USB2.0) Compliant
- 0.25 $\mu$ m CMOS Process technology
- Built-in UTMI 1.0 transceiver circuit
- USB2.0 / Full Speed mode support (12Mbps)

### ■ DESCRIPTIONS

S1R72005 is an USB (On-The-Go) device controller LSI based on the Universal Serial Bus Specification 2.0/Full Speed mode. S1R72005 can operate for Dual-Role Device by using Host / Device function and On-The-Go function in one chip. This product fits for PC peripherals equipment, and between USB equipment without PC.

### ■ FEATURES

- Built-in Host function, Device function and On-The-Go function
- USB 2.0/1.1 Compliant –Full Speed (12Mbps) support
- Control, Bulk, Interrupt, and Isochronous transmission
- 5 Endpoints and Endpoint 0
- fosc=12MHz (Built-in Oscillator circuit) or 12MHz/27MHz/48MHz clock input
- Supply voltage: 3.3V (I/O), 2.5V (Internal)
- Package: QFP13-64pin (Thin type/0.5mm pitch) and PFBGA-81 pin
- Wide range operation temperature: -40 degree to +85 degree.



# S1R72005

---

**NOTICE:**

No part of this material may be reproduced or duplicated in any form or by any means without the written permission of Seiko Epson. Seiko Epson reserves the right to make changes to this material without notice. Seiko Epson does not assume any liability of any kind arising out of any inaccuracies contained in this material or due to its application or use in any product or circuit and, further, there is no representation that this material is applicable to products requiring high level reliability, such as, medical products. Moreover, no license to any intellectual property rights is granted by implication or otherwise, and there is no representation or warranty that anything made in accordance with this material will be free from any patent or copyright infringement of a third party. This material or portions thereof may contain technology or the subject relating to strategic products under the control of the Foreign Exchange and Foreign Trade Law of Japan and may require an export license from the Ministry of International Trade and Industry or other approval from another government agency.

©Seiko Epson Corporation 2006, All rights reserved.

---

**SEIKO EPSON CORPORATION**

SEMICONDUCTOR OPERATIONS DIVISION

■ EPSON Electronic devices Website

<http://www.epsondevice.com/>

**IC Sales Department****IC Marketing Group**

421-8 Hino, Hino-shi, Tokyo 191-8501, JAPAN  
Phone: 042-587-5814 FAX: 042-587-5117

Document code: 410629803

First issue March, 2003

Printed March, 2006 in Japan